

accuraspray 4.0

Quick set-up guide

Online monitoring of thermal spray processes for the shop floor



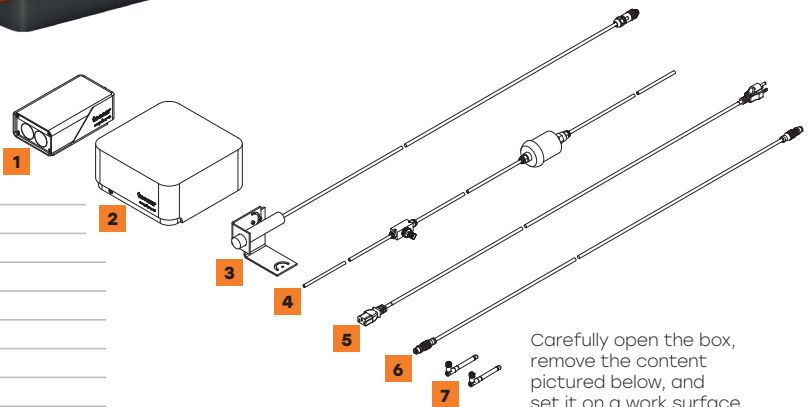
tecnar
our sensors, your productivity.

Before you begin

Unpacking the parts

The box should contain the following items:

1. Sensor head
2. Controller
3. Substrate pyrometer and its support bracket (optional)
4. Air filter and hoses
5. Controller power cable
6. Communication cable between the head and controller
7. Wi-Fi antennas
8. Spare fuses (not pictured below)
9. Neutral density filters (not pictured below)
10. Calibration sheets (not pictured below)



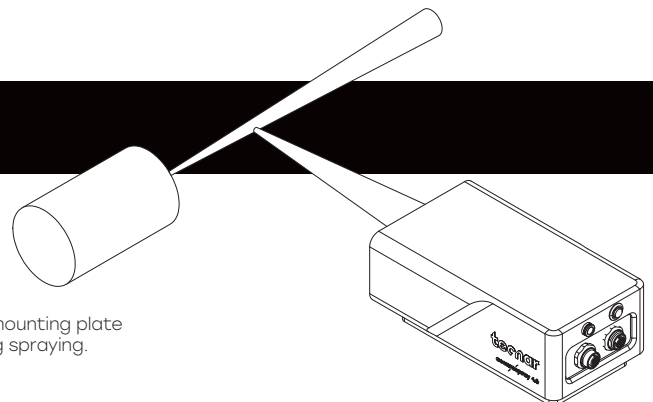
Carefully open the box, remove the content pictured below, and set it on a work surface.

1. Installing the sensor head

Where to install

Install the sensor head in the spray booth where it is by the robot (spray gun). Also ensure that the sensor head does not interfere with normal spraying operations.

Install the sensor head on a sturdy mounting plate that does not vibrate or move during spraying.



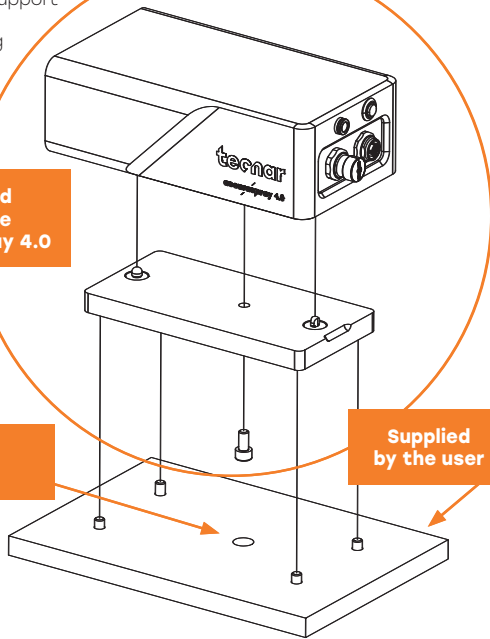
2. Installation procedure

Attach the sensor head to your support bracket using the 4 mounting holes.

Supplied with the Accuraspray 4.0

Provide access

Supplied by the user

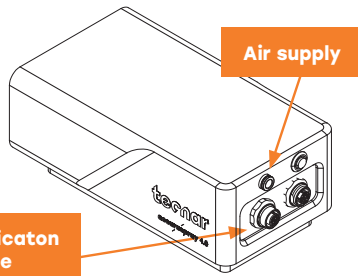


3. Adjusting the sensor head

Connect the compressed air supply and the communication cable to the sensor head. Pull the other end of the communication cable out of the spray booth. Connect the air hose to the booth air supply.

Communication cable

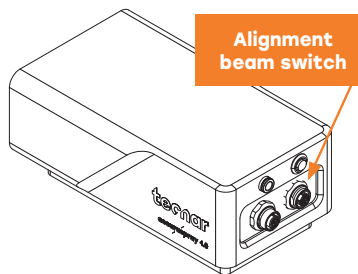
Air supply



5. Adjusting the spray gun position

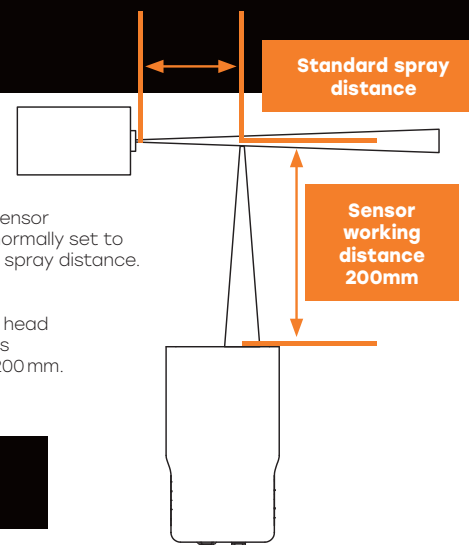
Activate the alignment beam by pushing the on button located at the back of the sensor.

Alignment beam switch



Bring the spray gun near the sensor head as shown on the schematic below. The sensor measurement point is normally set to your standard process spray distance.

The distance between the front of the sensor head and the spray torch axis should be adjusted to 200 mm.



6. Accessing the user interface

The Accuraspray 4.0 user interface is accessible through a web browser but it is not actually hosted on the internet. It is streamed from the Accuraspray controller. We recommend using Google Chrome for optimal performance.

Go to the normal Wi-Fi menu on your computer or tablet and look for "Accura 4.0 - serial number". The password to access the Wi-Fi is "accura.wifi".

Open your browser and enter the URL: <http://accuraspray4-00000000/> to connect to the Accuraspray user interface. Replace the zeros with the serial number of the unit you are trying to connect. The serial number consists of 8 digits which can be found in the Wi-Fi network name or under the controller.

4. Installing the controller

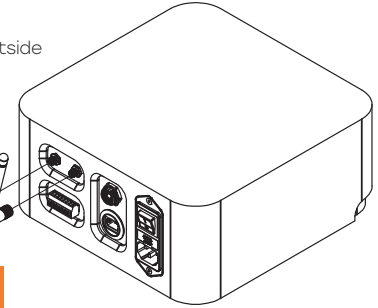
Where to install

Install the controller outside the spray booth.

Installation procedure

Install the Wi-Fi antennas on the controller.

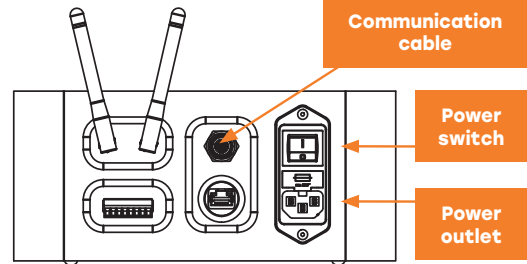
Wi-Fi antennas



Communication cable

Power switch

Power outlet

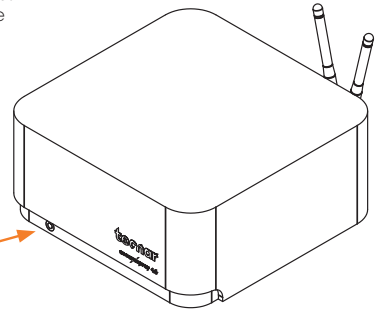


Connect the sensor head communication cable.

Connect the power cable to the controller and into a power socket. Flip the Accuraspray controller power switch to ON.

Wait until the status LED turns green.

Status LED



You are now ready for your free online training. Please contact us at service@tecnar.com to book your appointment.

See the Accuraspray 4.0 user's manual for complete system description. www.spraysensors.tecnar.com/accuraspray4-usermanual